

# **PAMS Technical Documentation**

## **TFE-2 Model C Transceiver**

# **Chapter 1**

# **GENERAL INFORMATION**

## CHAPTER 2 – GENERAL INFORMATION

### Contents

Introduction .....	Page 1–3
Product Selection .....	Page 1–3
Terminal .....	Page 1–3
Product and Module List .....	Page 1–4
Technical Specifications .....	Page 1–5
General Specifications of TFE-2 Model C Transceiver .....	Page 1–5
Electrical Specifications .....	Page 1–6
Transceiver General Features .....	Page 1–6
Receiver Branch .....	Page 1–6
Transmitter Branch .....	Page 1–7

## Introduction

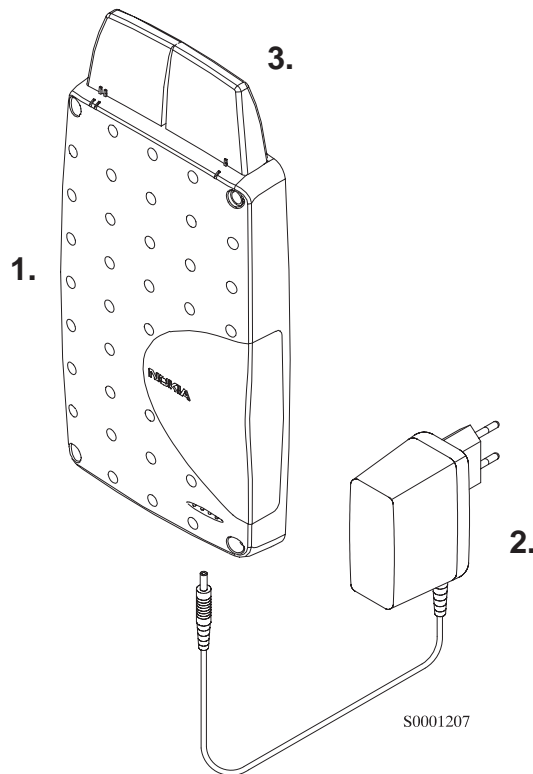
This chapter contains a list of products/modules together with their associated order codes, and details of the performance specifications for the TFE-2 Model C Transceiver. The performance specifications are split into general, transmitter and receiver functions.

## Product Selection

### Terminal

The TFE-2 Model C is a Fixed Wireless transceiver unit for the GSM 900 network. It is a GSM900 power class 4 transceiver providing 15 power levels with a maximum output power of 2 W.

The basic package contains the following products:



Item/name:	Type:	Product code:
1. GSM900 Terminal	TFE-2 model C	0630190
2. Power supply (Euro plug)	ACW-2	0675123
Power supply (US plug)	ACW-2P	0675135
Power supply (UK plug)	ACW-2X	0675136
3. Antenna	AHA-1E	0660133

## Product and Module List

<b>Unit/type:</b>	<b>Product code:</b>	<b>Module code:</b>
<b>Transceiver TFE-2 Model C</b>	0630190	
<b>Power Supply ACW-2 (Euro plug)</b>	0675123	
<b>Power Supply ACW-2P (US plug)</b>	0675135	
<b>Power Supply ACW-2X (UK plug)</b>	0675136	
<b>Antenna AHA-1E</b>	0660133	

## Technical Specifications

### General Specifications of TFE-2 Model C Transceiver

Temperature range	<i>- 10° C to +55° C</i>
Operating time (with BBW-1)	
• talk time	<i>2 h</i>
• standby time	<i>10 h</i>
Battery voltage	<i>6.8 V</i>
Nominal current consumption	
• idle mode	<i>300 mA</i>
• call mode,	<i>800 – 1500 mA</i>
Dimensions (h x w x d)	
• transceiver	<i>213 x 121 x 28 mm</i>
Weight	
• transceiver	<i>800 g</i>

## Electrical Specifications

### Transceiver General Features

Cellular system	GSM-900
RX frequency band	935 ... 960 MHz
TX frequency band	890 ... 915 MHz
Output power	5-33 dBm
Duplex spacing	45 MHz
Number of RF channels	124
Channel spacing	200 kHz
Number of TX power levels	15
Sensitivity	-104 dBm / S/N>8 dB
Frequency error	<+/- 0.1 ppm
RMS phase error	< +/- 5.0
Peak phase error	< +/- 20.0

### Receiver Branch

RX frequency range , MHz	935...960
Type	2 IFs linear
Intermediate frequencies , MHz	71, 13
3 dB bandwidth ,kHz	+/- 100
Reference noise bandwidth ,kHz	270
Sensitivity , dBm	-104 S/N ratio > 8 dB BN=135 kHz
AGC dynamic range dB	105 typ.
Receiver gain ,dB	83 typ.
RF front end gain control range,dB	48
2nd IF gain control range, dB	57
Input dynamic range, dBm	-104 ... -10
Gain relative accuracy in receiving band dB	+/- 1.5
Gain relative accuracy on channel ,dB	+/- 0.4

## Transmitter Branch

TX frequency range	890...915 MHz
Type	Upconversion
Intermediate frequency	116 MHz
Maximum output power	2 W (33 dBm)
Gain control range	28 dB
Maximum RMS phase error	5 deg.

Power class	4
Output power	3mW ... 2W
Power levels	15
Frequency error	$< \pm 0.1 \text{ ppm}$
Peak phase error	$< \pm 20.0^\circ$

This page intentionally left blank.